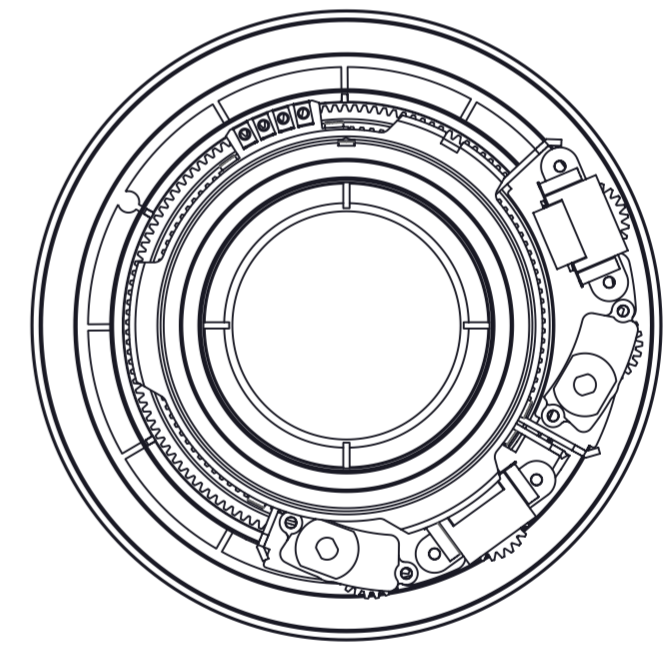
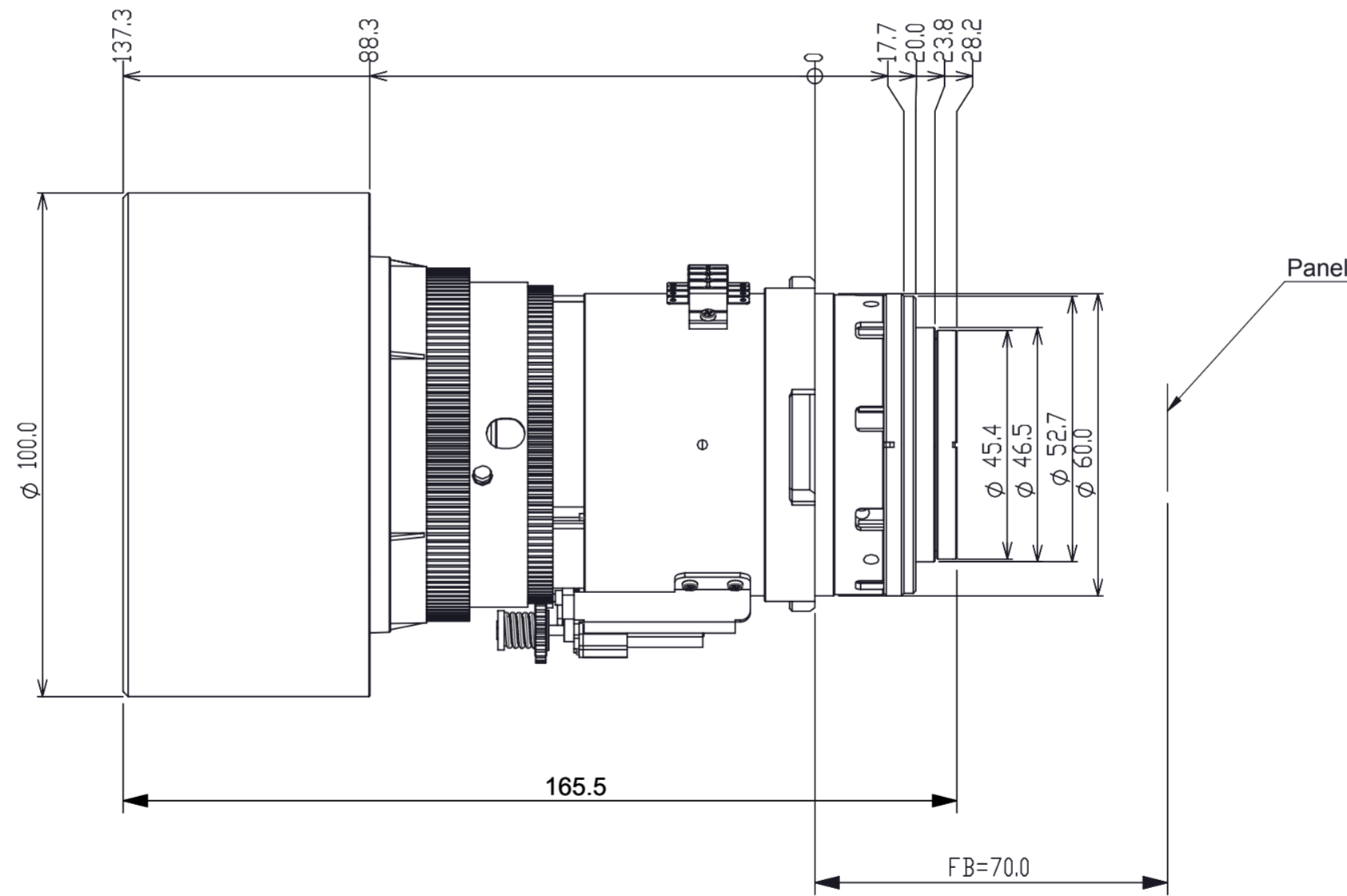
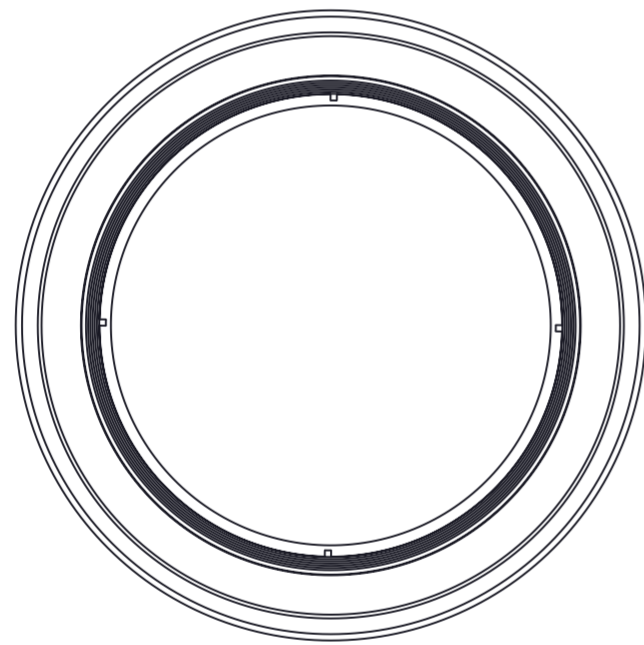
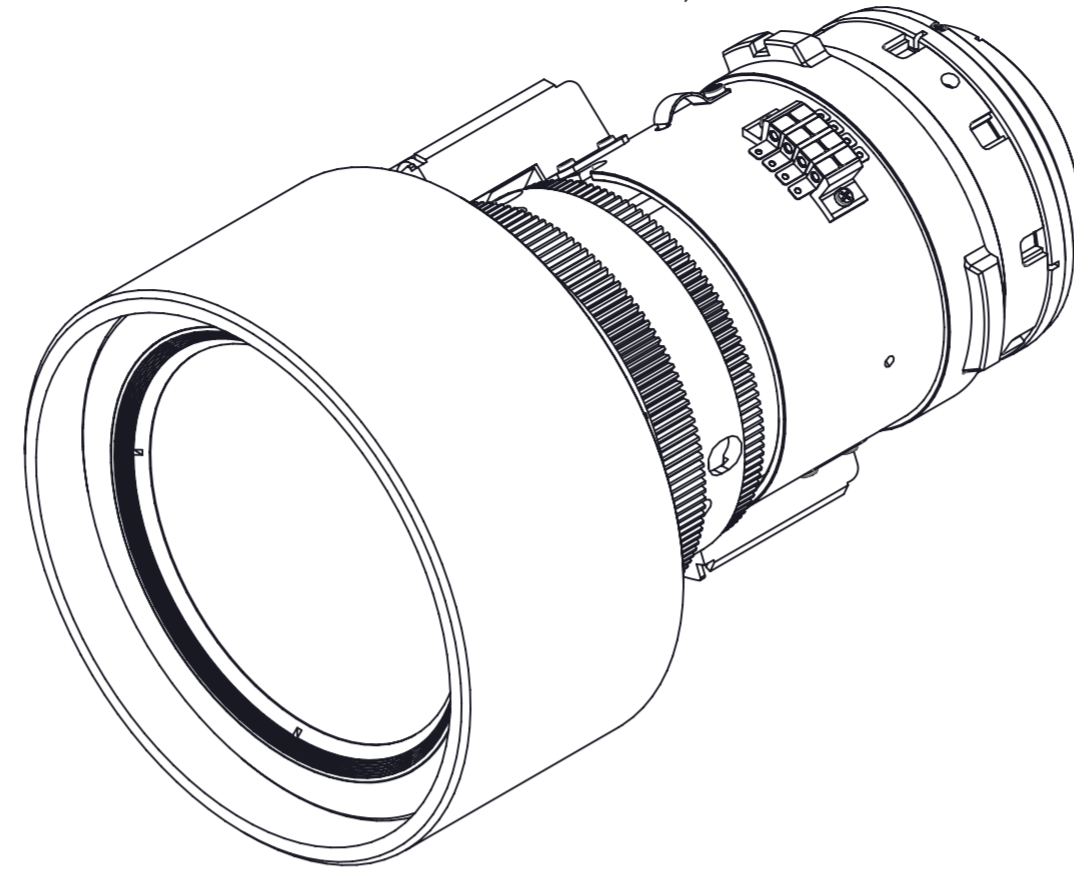


IF IN DOUBT, ASK.



THROW RATIO
UHD 4K
1.24-1.78:1

A2 DRG. No.		PROPRIETARY INFORMATION This document contains proprietary information which is loaned to you in confidence for a specific purpose. It shall not be reproduced or transferred to other documents without the prior written permission of Digital Projection Ltd. It shall be returned immediately upon request.		DRAWN BS 308 3rd Angle Projection		Distribution Code											
7		MATERIAL		CAD GENERATED DRAWING DO NOT MAKE MANUAL CHANGES		TOLERANCES UNLESS OTHERWISE STATED		Unless Otherwise Stated		DIMENSIONS IN MILLIMETRES		FIRST USED ON		DIGITAL PROJECTION		MIDDLETON M24 1XX	
6				LAST CHANGE		METRIC: 1.000 ±0.01 1.00 ±0.1 1.0 ±0.2 1 ±0.4		REMOVE ALL BURRS & SHARP EDGES. DO NOT SCALE DRAWING THE SURFACE TEXTURE ROUGHNESS NUMBER OF MACHINED SURFACES SHOULD BE EQUAL TO OR LESS THAN 0.8um (N6 CLA32)		REV. A		ORIGINAL SCALE 1:1.2		TITLE		COMPONENT OR DRG.No.	
5				DATE OF ISSUE 1-3-19		IMPERIAL Fractional ±1/64" Decimal ± 0.005"		NOTE		DRAWN jcharnley		DRAWN jcharnley		LENS, WIDE ZOOM, TR1.24-1.78:1		118-563	
4		CODE				ANGLES ± 0° 30'		APP.DO.		DATE 30-11-17		APP.ENG.					
3		FINISH						DATE		30-11-17		DATE 23-11-17					
2																	
1																	
PRE REVS		ITEM		DESCRIPTION		REFER TO		No OFF		REMARKS						A2 SHEET 1 OF 1	